

# Engine powered forklift 1.5 - 3.5 ton

**TONERO<sup>HST</sup>**



# Engine powered forklift 1.5 - 1.8 ton

Truck specifications					06-8FG15F	06-8FG18F
Identification	1.1	Manufacturer			Toyota	Toyota
	1.2	Model			06-8FG15F	06-8FG18F
	1.3	Drive			LPG	LPG
	1.4	Operator type			Rider seated	Rider seated
	1.5	Load capacity/rated load	Q	kg	1500	1750
	1.6	Load centre	c	mm	500	500
	1.8	Load distance, centre of drive axle to fork	x	mm	410	410
Weight	2.1	Wheelbase	y	mm	2485	2485
	2.2	Axle load, with load, front/rear		kg	3460/490	3820/560
	2.3	Axle load, without load, front/rear		kg	1040/1410	1000/1630
Tyres	3.1	Tyre - pneumatic (P), pneumatic shaped cushion (SE), solid rubber (R)			SE	SE
	3.2	Tyre size, front			6.50-10	6.50-10
	3.3	Tyre size, rear			5.00-8	5.00-8
	3.5	Wheels, number front/rear (x=driven wheels)			2x/2	2x/2
	3.6	Track width, front	b <sub>10</sub>	mm	885	885
	3.7	Track width, rear	b <sub>11</sub>	mm	895	895
	Dimensions	4.1	Tilt of mast/fork carriage forward/backward	$\alpha/\beta$	deg	6/11
4.2		Height, mast lowered	h <sub>1</sub>	mm	1995	1995
4.3		Free lift	h <sub>2</sub>	mm	150	150
4.4		Lift	h <sub>3</sub>	mm	2960	2960
		Lift height	h <sub>23</sub>	mm	3000	3000
4.5		Height, mast extended	h <sub>4</sub>	mm	4250	4250
4.7		Height of overhead guard (cab)	h <sub>6</sub>	mm	2080	2080
4.8		Seat height	h <sub>7</sub>	mm	1020	1020
4.12		Coupling height	h <sub>10</sub>	mm	285	285
4.19		Overall length	l <sub>1</sub>	mm	3290	3315
4.20		Length to face of forks	l <sub>2</sub>	mm	2290	2315
4.21		Overall width	b <sub>1</sub>	mm	1070	1070
4.22		Fork dimensions	s/e/l	mm	40/80/1000	40/80/1000
4.23		Fork carriage DIN 15173, class/type A, B			II A	II A
4.24		Fork-carriage width	b <sub>3</sub>	mm	920	920
4.31		Ground clearance, with load, below mast	m <sub>1</sub>	mm	80	80
4.32		Ground clearance, centre of wheelbase	m <sub>2</sub>	mm	95	95
4.33	Aisle width for pallets 1000 x 1200 crossways	A <sub>st</sub>	mm	3600	3620	
4.34	Aisle width for pallets 800 x 1200 lengthways	A <sub>st</sub>	mm	3800	3820	
4.35	Turning radius	W <sub>a</sub>	mm	1990	2010	
4.36	Internal turning radius	b <sub>13</sub>	mm	575	575	
Performance data	5.1	Travel speed, with/without load		km/h	19/19	19/19
	5.2	Lift speed, with/without load		m/s	0,67/0,68	0,67/0,68
	5.3	Lowering speed, with/without load		m/s	< 0,55	< 0,55
	5.6	Max. drawbar pull, with/without load		N	10800/6300	10800/6300
	5.7	Gradeability, with load/without load <sup>1)</sup>		%	24 / 22	24 / 22
	5.10	Service brake			Hydraulic	Hydraulic
Combustion engine	7.1	Engine manufacturer/type			Toyota 4Y-ECS (V)	Toyota 4Y-ECS (V)
	7.2	Engine power acc. to ISO 1585		kW	38	38
	7.3	Rated speed		1/min	2400	2400
	7.4	No. of cylinders/displacement		cm <sup>3</sup>	4/2237	4/2237
	7.5a	Fuel consumption according to EN 16796		kg/h	2.6	2.9
Others	8.2	Operating pressure for attachments		bar	118	118
	8.3	Oil volume for attachments		l/min	65 max	65 max
	8.4	Sound level at the driver's ear according to EN 12053		dB(A)	77	77

<sup>1)</sup> Computed values.

Performance data and dimensions are nominal and subject to tolerances.

Specifications are subject to change without notice.

Please obtain the latest specifications before contracting products.

# Mast dimensions and rated capacities

Model			V								FV					FSV							FSW				
8FG15F,18F	Lift height	$h_{23}$	3000	3300	3500	3700	4000	4500	5000	3000	3300	3500	3700	4000	4300	4700	5000	5500	6000	6500	7000	4500	4700	5000	5600	6000	6500
	Lift	$h_3$	2960	3260	3460	3660	3960	4460	4960	2960	3260	3460	3660	3960	4260	4660	4960	5460	5960	6460	6960	4470	4670	4970	5570	5970	6470
	Height, mast lowered	$h_1$	1995	2145	2245	2405	2595	2845	3095	1995	2145	2245	2405	2595	1995	2145	2245	2405	2595	2845	3095	2065	2165	2265	2465	2615	2815
	Height, mast extended <sup>1)</sup>	$h_4$	3640	3940	4140	4340	4640	5140	5640	3590	3890	4090	4290	4590	4865	5265	5565	6065	6565	7065	7565	5065	5265	5565	6165	6565	7065
	Height, mast extended <sup>2)</sup>	$h_4$	4250	4550	4750	4950	5250	5750	6250	4240	4540	4740	4940	5240	5540	5940	6240	6740	7240	7740	8240	—	—	—	—	—	—
	Free lift, without load backrest	$h_2$	150	150	150	150	150	150	150	1440	1590	1690	1850	2040	1460	1610	1710	1870	2060	2310	2560	1470	1570	1670	1870	2070	2220
	Free lift, with load backrest <sup>2)</sup>	$h_2$	150	150	150	150	150	150	150	785	935	1035	1195	1385	785	935	1035	1195	1385	1635	1885	941	1041	1141	1341	1491	1691

1) Without load backrest

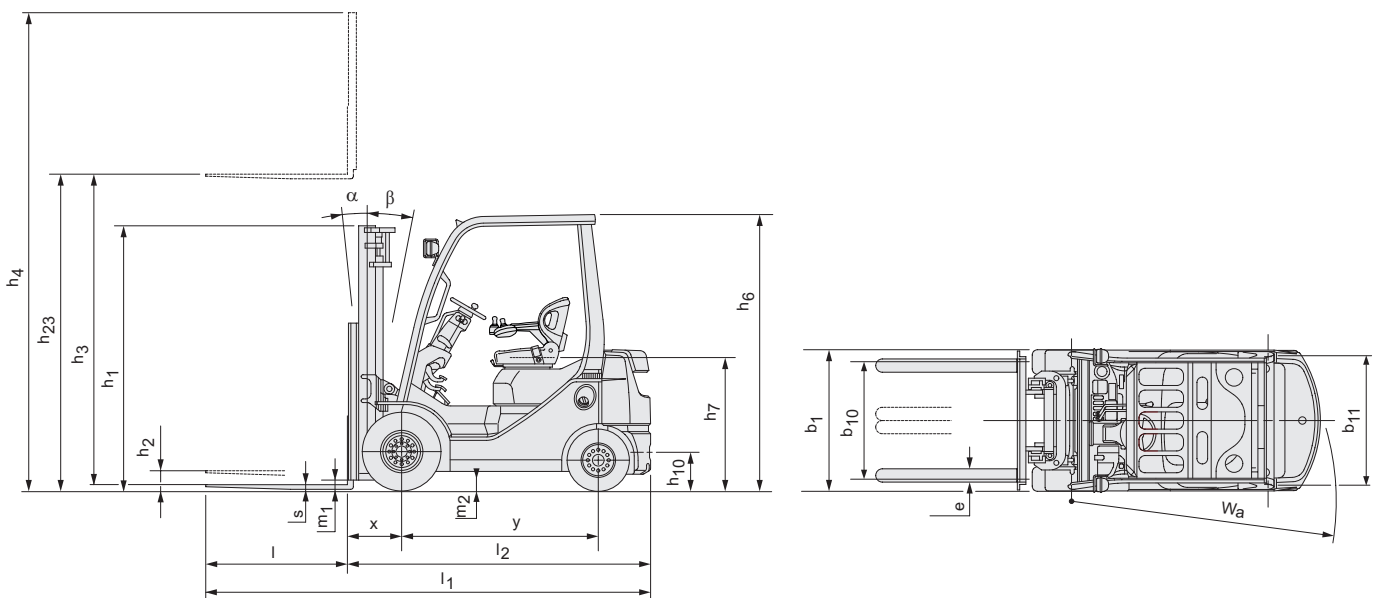
2) With load backrest. Load backrest height V-FV-FSV mast : 1220mm. Load backrest height FSW mast : 1124mm.

Data in [ ] are for when "A4 piping" is selected.

Single tyre			V								FV					FSV							FSW				
8FG15F	Tilt range, forward	deg	6	6	6	6	6	6	6	6	6	6	6	6	6	6	6	6	6	6	—	6	6	6	6	6	6
	Tilt range, backward	deg	11(6)	11(6)	11(6)	11(6)	11(6)	6	6	11(6)	11(6)	11(6)	11(6)	11(6)	6	6	6	6	6	6	—	6	6	6	6	6	6
	Load capacity, P tyres at 500 mm LC	kg	1500	1500	1500	1500	1500	1450	1300	1500	1500	1500	1500	1500	1400	1350	1250	950	700	—	—	1350	1350	1250	950	700	500
	Load capacity, SE tyres at 500 mm LC	kg	1500	1500	1500	1500	1500	1450	1300	1500	1500	1500	1500	1500	1400	1350	1300	1050	800	—	—	1350	1350	1300	1050	800	600
8FG18F	Tilt range, forward	deg	6	6	6	6	6	6	6	6	6	6	6	6	6	6	6	6	6	6	—	6	6	6	6	6	6
	Tilt range, backward	deg	11(6)	11(6)	11(6)	11(6)	11(6)	6	6	11(6)	11(6)	11(6)	11(6)	11(6)	6	6	6	6	6	6	—	6	6	6	6	6	6
	Load capacity, P tyres at 500 mm LC	kg	1750	1750	1750	1750	1700	1600	1550	1750	1750	1750	1750	1700	1550	1500	1450	1100	850	—	—	1500	1500	1450	1100	850	500
	Load capacity, SE tyres at 500 mm LC	kg	1750	1750	1750	1750	1700	1600	1550	1750	1750	1750	1750	1700	1550	1500	1450	1200	950	—	—	1500	1500	1450	1200	950	600

Dual tyre			V								FV					FSV						
8FG15F	Tilt range, forward	deg	7	7	7	7	7	7	7	7	7	7	7	7	7	7	7	7	7	7	7	
	Tilt range, backward	deg	10(5)	10(5)	10(5)	10(5)	10(5)	10(5)	5	10(5)	10(5)	10(5)	10(5)	10(5)	5	5	5	5	5	5	5	
	Load capacity, P/SE tyres 500 mm LC	kg	1500	1500	1500	1500	1500	1450	1350	1500	1500	1500	1500	1500	1400	1350	1300	1250	1100	900	—	
8FG18F	Tilt range, forward	deg	7	7	7	7	7	7	7	7	7	7	7	7	7	7	7	7	7	7	7	
	Tilt range, backward	deg	10(5)	10(5)	10(5)	10(5)	10(5)	10(5)	5	10(5)	10(5)	10(5)	10(5)	10(5)	5	5	5	5	5	5	5	
	Load capacity, P/SE tyres at 500 mm LC	kg	1750	1750	1750	1750	1700	1600	1550	1750	1750	1750	1750	1700	1550	1500	1450	1400	1200	850	—	

Data in ( ) are for when "Cabin Series" is selected (minimum front windshield).



# Engine powered forklift 2.0 - 2.5 ton

Truck specifications				06-8FG20F	56-8FD20F	06-8FG25F	56-8FD25F	
Identification	1.1	Manufacturer		TOYOTA	TOYOTA	TOYOTA	TOYOTA	
	1.2	Model		06-8FG20F	56-8FD20F	06-8FG25F	56-8FD25F	
	1.3	Drive		LPG	Diesel	LPG	Diesel	
	1.4	Operator type		Rider seated	Rider seated	Rider seated	Rider seated	
	1.5	Load capacity/rated load	Q	kg	2000	2000	2500	2500
	1.6	Load centre	c	mm	500	500	500	500
	1.8	Load distance, centre of drive axle to fork	x	mm	470	470	470	470
	1.9	Wheelbase	y	mm	1650	1650	1650	1650
	Weight	2.1	Service weight		kg	3250	3290	3560
2.2		Axle load, with load, front/rear		kg	4580/670	4600/690	5280/780	5300/830
2.3		Axle load, without load, front/rear		kg	1410/1840	1430/1860	1300/2260	1320/2280
Tyres	3.1	Tyre - pneumatic (P), pneumatic shaped cushion (SE), solid rubber (R)			SE	SE	SE	SE
	3.2	Tyre size, front			7.00-12	7.00-12	7.00-12	7.00-12
	3.3	Tyre size, rear			6.00-9	6.00-9	6.00-9	6.00-9
	3.5	Wheels, number front/rear (x=driven wheels)			2x/2	2x/2	2x/2	2x/2
	3.6	Track width, front	b <sub>10</sub>	mm	960/1190	960/1190	960/1190	960/1190
	3.7	Track width, rear	b <sub>11</sub>	mm	965	965	965	965
	Dimensions	4.1	Tilt of mast/fork carriage forward/backward	$\alpha/\beta$	deg	6/11	6/11	6/11
4.2		Height, mast lowered	h <sub>1</sub>	mm	1995	1995	1995	1995
4.3		Free lift	h <sub>2</sub>	mm	150	150	150	150
4.4		Lift	h <sub>3</sub>	mm	2690	2960	2960	2960
		Lift height	h <sub>23</sub>	mm	3000	3000	3000	3000
4.5		Height, mast extended	h <sub>4</sub>	mm	4250	4250	4250	4250
4.7		Height of overhead guard (cab)	h <sub>6</sub>	mm	2160	2160	2160	2160
4.8		Seat height	h <sub>7</sub>	mm	1100	1100	1100	1100
4.12		Coupling height	h <sub>10</sub>	mm	315	315	315	315
4.19		Overall length	l <sub>1</sub>	mm	3575	3575	3640	3640
4.20		Length to face of forks	l <sub>2</sub>	mm	2575	2575	2640	2640
4.21		Overall width	b <sub>1</sub>	mm	1150	1150	1150	1150
4.22		Fork dimensions	s/e/l	mm	40/100/1000	40/100/1000	40/100/1000	40/100/1000
4.23		Fork carriage DIN 15173, class/type A, B			II A	II A	II A	II A
4.24		Fork-carriage width	b <sub>3</sub>	mm	1020	1020	1020	1020
4.31		Ground clearance, with load, below mast	m <sub>1</sub>	mm	90	90	90	90
4.32		Ground clearance, centre of wheelbase	m <sub>2</sub>	mm	135	135	135	135
4.33		Aisle width for pallets 1000 x 1200 crossways	A <sub>st</sub>	mm	3870	3870	3950	3950
4.34	Aisle width for pallets 800 x 1200 lengthways	A <sub>st</sub>	mm	4070	4070	4150	4150	
4.35	Turning radius	W <sub>a</sub>	mm	2200	2200	2280	2280	
4.36	Internal turning radius	b <sub>13</sub>	mm	745	745	745	745	
Performance data	5.1	Travel speed, with/without load		km/h	19/19	19/19	19/19	19/19
	5.2	Lift speed, with/without load		m/s	0,60/0,64	0,62/0,66	0,60/0,64	0,62/0,66
	5.3	Lowering speed, with/without load		m/s	< 0,50	< 0,50	< 0,50	< 0,50
	5.6	Max. drawbar pull, with/without load		N	17500/7800	17500/7800	17500/9000	17500/9100
	5.7	Gradeability, with load/without load <sup>1)</sup>		%	32/20	32/20	27/22	27/22
	5.10	Service brake			Hydraulic	Hydraulic	Hydraulic	Hydraulic
Combustion engine	7.1	Engine manufacturer/type			Toyota 4Y-ECS (V)	Toyota 1ZS (V)	Toyota 4Y-ECS (V)	Toyota 1ZS (V)
	7.2	Engine power acc. to ISO 1585		kW	38	41	38	41
	7.3	Rated speed		1/min	2400	2200	2400	2200
	7.4	No. of cylinders/displacement		cm <sup>3</sup>	4/2237	3/1795	4/2237	3/1795
	7.5a	Fuel consumption according to EN 16796		kg/h	3,0	—	3,4	—
	7.5b	Fuel consumption according to EN 16796		l/h	—	2,7	—	3
Others	8.2	Operating pressure for attachments		bar	147	147	147	147
	8.3	Oil volume for attachments		l/min	65-71	65-77	65-71	65-77
	8.4	Sound level at the driver's ear according to EN 12053		dB(A)	77	77	77	77

<sup>1)</sup> Computed values.

Performance data and dimensions are nominal and subject to tolerances.

Specifications are subject to change without notice.

Please obtain the latest specifications before contracting products.

# Mast dimensions and rated capacities

Model		V								FV					FSV						FSW							
8FG20F	Lift height	$h_{23}$	3000	3300	3500	3700	4000	4500	5000	5500	3000	3300	3500	3700	4000	4300	4700	5000	5500	6000	6500	7000	4500	4700	5000	5600	6000	6500
	Lift	$h_3$	2960	3260	3460	3660	3960	4460	4960	5460	2960	3260	3460	3660	3960	4260	4660	4960	5460	5960	6460	6960	4470	4670	4970	5570	5970	6470
	Height, mast lowered	$h_1$	1995	2145	2245	2405	2595	2845	3095	3345	1995	2145	2245	2405	2595	1995	2145	2245	2405	2595	2845	3095	2065	2165	2265	2465	2615	2815
	Height, mast extended <sup>1)</sup>	$h_4$	3700	4000	4200	4400	4700	5200	5700	6200	3625	3925	4125	4325	4625	4900	5300	5600	6100	6600	7100	7600	5065	5265	5565	6165	6565	7065
	Height, mast extended <sup>2)</sup>	$h_4$	4250	4550	4750	4950	5250	5750	6250	6750	4240	4540	4740	4940	5240	5540	5940	6240	6740	7240	7740	8240	—	—	—	—	—	—
	Free lift, without load backrest	$h_2$	150	150	150	150	150	150	150	150	1400 [1220]	1550 [1370]	1650 [1470]	1810 [1630]	2000 [1820]	1425	1575	1675	1835	2025	2275	2525	1470	1570	1670	1870	2070	2220
	Free lift, with load backrest <sup>2)</sup>	$h_2$	150	150	150	150	150	150	150	150	785	935	1035	1195	1385	785	935	1035	1195	1385	1635	1885	941	1041	1141	1341	1491	1691
8FG25F	Lift height	$h_{23}$	3000	3300	3500	3700	4000	4500	5000	5500	3000	3300	3500	3700	4000	4300	4700	5000	5500	6000	6500	7000	4300	4600	5000	5600	6000	6500
	Lift	$h_3$	2960	3260	3460	3660	3960	4460	4960	5460	2960	3260	3460	3660	3960	4260	4660	4960	5460	5960	6460	6960	4270	4560	4970	5570	5970	6470
	Height, mast lowered	$h_1$	1995	2145	2245	2405	2595	2845	3095	3345	1995	2145	2245	2405	2595	1995	2145	2245	2405	2595	2845	3095	2095	2175	2315	2515	2665	2865
	Height, mast extended <sup>1)</sup>	$h_4$	3700	4000	4200	4400	4700	5200	5700	6200	3625	3925	4125	4325	4625	4900	5300	5600	6100	6600	7100	7600	4985	5225	5635	6235	6635	7135
	Height, mast extended <sup>2)</sup>	$h_4$	4250	4550	4750	4950	5250	5750	6250	6750	4240	4540	4740	4940	5240	5540	5940	6240	6740	7240	7740	8240	—	—	—	—	—	—
	Free lift, without load backrest	$h_2$	150	150	150	150	150	150	150	150	1400 [1220]	1550 [1370]	1650 [1470]	1810 [1630]	2000 [1820]	1425	1575	1675	1835	2025	2275	2525	1430	1510	1650	1850	2000	2200
	Free lift, with load backrest <sup>2)</sup>	$h_2$	150	150	150	150	150	150	150	150	785	935	1035	1195	1385	785	935	1035	1195	1385	1635	1885	971	1051	1191	1391	1541	1741

1) Without load backrest.

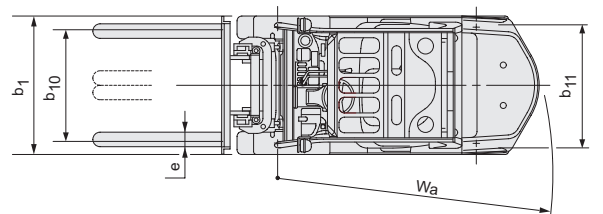
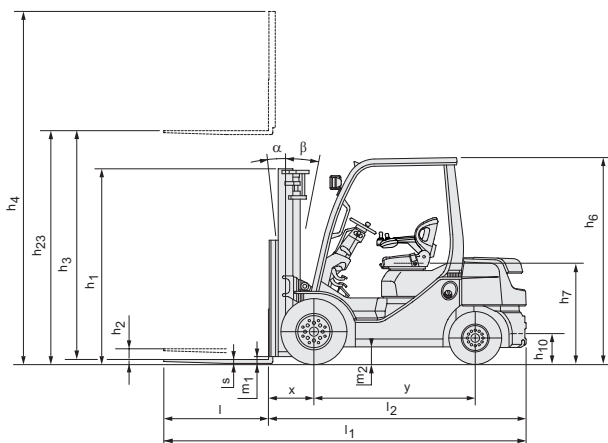
2) With load backrest. Load backrest height V-FV-FSV mast : 1220mm. Load backrest height FSW mast : 1124mm.

Data in [ ] are for when "A4 piping" is selected.

Single tyre		V								FV					FSV						FSW							
8FG20F	Tilt range, forward	deg	6	6	6	6	6	6	6	—	6	6	6	6	6	6	6	6	6	6	6	—	6	6	6	6	6	6
	Tilt range, backward	deg	11(6)	11(6)	11(6)	11(6)	11(6)	6	6	—	11(6)	11(6)	11(6)	11(6)	11(6)	6	6	6	6	6	6	—	6	6	6	6	6	6
	Load capacity, P tyres at 500 mm LC	kg	2000	2000	2000	2000	2000	1950	1850	—	2000	2000	2000	2000	2000	1900	1850	1450	1200	850	—	—	1850	1850	1450	1200	850	650
	Load capacity, SE tyres at 500 mm LC	kg	2000	2000	2000	2000	2000	1950	1900	—	2000	2000	2000	2000	2000	1900	1850	1600	1350	1000	—	—	1850	1850	1600	1350	1000	750
8FG25F	Tilt range, forward	deg	6	6	6	6	6	6	6	—	6	6	6	6	6	6	6	6	6	6	6	—	6	6	6	6	6	6
	Tilt range, backward	deg	11(6)	11(6)	11(6)	11(6)	9	6	6	—	11(6)	11(6)	11(6)	11(6)	9	6	6	6	6	6	6	—	6	6	6	6	6	6
	Load capacity, P tyres at 500 mm LC	kg	2500	2500	2500	2500	2500	2150	1700	—	2500	2500	2500	2500	2500	2300	2000	1500	1250	900	—	—	2000	2000	1500	1250	900	650
	Load capacity, SE tyres at 500 mm LC	kg	2500	2500	2500	2500	2500	2300	1850	—	2500	2500	2500	2500	2500	2300	2000	1650	1400	1050	—	—	2000	2000	1650	1400	1050	1030

Dual tyre		V								FV					FSV						FSW							
8FG20F	Tilt range, forward	deg	6	6	6	6	6	6	6	6	6	6	6	6	6	6	6	6	6	6	6	6	6	6	6	6	6	6
	Tilt range, backward	deg	11(6)	11(6)	11(6)	11(6)	11(6)	6	6	11(6)	11(6)	11(6)	11(6)	11(6)	6	6	6	6	6	6	6	6	6	6	6	6	6	
	Load capacity, P/SE tyres 500 mm LC	kg	2000	2000	2000	2000	2000	1950	1900	1800	2000	2000	2000	2000	2000	1950	1900	1850	1800	1600	1550	—	1850	1850	1600	1350	1000	750
8FG25F	Tilt range, forward	deg	6	6	6	6	6	6	6	6	6	6	6	6	6	6	6	6	6	6	6	6	6	6	6	6	6	6
	Tilt range, backward	deg	11(6)	11(6)	11(6)	11(6)	11(6)	6	6	11(6)	11(6)	11(6)	11(6)	11(6)	6	6	6	6	6	6	6	6	6	6	6	6	6	
	Load capacity, P/SE tyres at 500 mm LC	kg	2500	2500	2500	2500	2500	2450	2400	2300	2500	2500	2500	2500	2500	2500	2450	2400	2050	1700	1550	—	2300	2300	2150	1950	1550	1450

Data in ( ) are for when "Cabin Series" is selected (minimum front windshield).



# Engine powered forklift 3.0 - 3.5 ton

Truck specifications				06-8FG30F	56-8FD30F	06-8FGJ35F	56-8FDJ35F	
Identification	1.1	Manufacturer		TOYOTA	TOYOTA	TOYOTA	TOYOTA	
	1.2	Model		06-8FG30F	56-8FD30F	06-8FGJ35F	56-8FDJ35F	
	1.3	Drive		LPG	Diesel	LPG	Diesel	
	1.4	Operator type		Rider seated	Rider seated	Rider seated	Rider seated	
	1.5	Load capacity/rated load	Q	kg	3000	3000	3500	3500
	1.6	Load centre	c	mm	500	500	500	500
	1.8	Load distance, centre of drive axle to fork	x	mm	485	485	495	495
	1.9	Wheelbase	y	mm	1700	1700	1700	1700
	Weight	2.1	Service weight		kg	4210	4250	4820
2.2		Axle load, with load, front/rear		kg	6230/980	6260/990	7250/1070	7260/1100
2.3		Axle load, without load, front/rear		kg	1490/2720	1530/2720	1690/3130	1710/3150
Tyres	3.1	Tyre - pneumatic (P), pneumatic shaped cushion (SE), solid rubber (R)			SE	SE	SE	SE
	3.2	Tyre size, front			28x9-15	28x9-15	250-15	250-15
	3.3	Tyre size, rear			6.50-10	6.50-10	6.50-10	6.00-10
	3.5	Wheels, number front/rear (x=driven wheels)			2x/2	2x/2	2x/2	2x/2
	3.6	Track width, front	b <sub>10</sub>	mm	1010/1240	1010/1240	1060/1290	1060/1290
	3.7	Track width, rear	b <sub>11</sub>	mm	965	965	965	965
	Dimensions	4.1	Tilt of mast/fork carriage forward/backward	$\alpha/\beta$	deg	6/11	6/11	6/11
4.2		Height, mast lowered	h <sub>1</sub>	mm	2010	2010	2115	2115
4.3		Free lift	h <sub>2</sub>	mm	135	135	135	135
4.4		Lift	h <sub>3</sub>	mm	2955	2955	2955	2955
		Lift height	h <sub>23</sub>	mm	3000	3000	3000	3000
4.5		Height, mast extended	h <sub>4</sub>	mm	4260	4260	4260	4260
4.7		Height of overhead guard (cab)	h <sub>6</sub>	mm	2220	2220	2230	2230
4.8		Seat height	h <sub>7</sub>	mm	1160	1160	1170	1170
4.12		Coupling height	h <sub>10</sub>	mm	335	335	335	335
4.19		Overall length	l <sub>1</sub>	mm	3780	3780	3850	3850
4.20		Length to face of forks	l <sub>2</sub>	mm	2780	2780	2850	2850
4.21		Overall width	b <sub>1</sub>	mm	1240	1240	1290	1290
4.22		Fork dimensions	s/e/l	mm	45/100/1000	45/100/1000	45/125/1000	45/125/1000
4.23		Fork carriage DIN 15173, class/type A, B			IIIA	IIIA	IIIA	IIIA
4.24		Fork-carriage width	b <sub>3</sub>	mm	1070	1070	1070	1070
4.31		Ground clearance, with load, below mast	m <sub>1</sub>	mm	110	110	130	130
4.32		Ground clearance, centre of wheelbase	m <sub>2</sub>	mm	180	180	190	190
4.33		Aisle width for pallets 1000 x 1200 crossways	A <sub>st</sub>	mm	4115	4115	4185	4185
4.34	Aisle width for pallets 800 x 1200 lengthways	A <sub>st</sub>	mm	4315	4315	4385	4385	
4.35	Turning radius	W <sub>a</sub>	mm	2430	2430	2490	2490	
4.36	Internal turning radius	b <sub>13</sub>	mm	720	720	745	745	
Performance data	5.1	Travel speed, with/without load		km/h	19,5/19,5	19,5/19,5	20/20	20/20
	5.2	Lift speed, with/without load		m/s	0,51/0,55	0,50/0,53	0,43/0,45	0,42/0,45
	5.3	Lowering speed, with/without load		m/s	<0,50	<0,50	<0,50	<0,50
	5.6	Max. drawbar pull, with/without load		N	17000/10300	17000/10400	16500/10500	16500/10600
	5.7	Gradeability, with load/ without load <sup>1)</sup>		%	21/20	21/20	17/17	17/17
	5.10	Service brake			Hydraulic	Hydraulic	Hydraulic	Hydraulic
Combustion engine	7.1	Engine manufacturer/type			Toyota 4Y-ECS (V)	Toyota 1ZS (V)	Toyota 4Y-ECS (V)	Toyota 1ZS (V)
	7.2	Engine power acc. to ISO 1585		kW	42	41	42	41
	7.3	Rated speed		1/min	2400	2200	2400	2200
	7.4	No. of cylinders/displacement		cm <sup>3</sup>	4/2237	3/1795	4/2237	3/1795
	7.5a	Fuel consumption according to EN 16796		kg/h	3,7	—	4,0	—
	7.5b	Fuel consumption according to EN 16796		l/h	—	3,4	—	3,9
	Others	8.2	Operating pressure for attachments		bar	147	147	147
8.3		Oil volume for attachments		l/min	65-74	65-75	65-74	65-80
8.4		Sound level at the driver's ear according to EN 12053		dB(A)	77	77	77	77

<sup>1)</sup> Computed values.

Performance data and dimensions are nominal and subject to tolerances.

Specifications are subject to change without notice.

Please obtain the latest specifications before contracting products.

# Mast dimensions and rated capacities

Model		V									FV					FSV						FSW								
8FG30F	Lift height	$h_{23}$	3000	3300	3500	3700	4000	4500	5000	5500	6000	3000	3300	3500	3700	4000	4300	4700	5000	5500	6000	6500	7000	4500	4700	5000	5600	6000	6500	
	Lift	$h_3$	2955	3255	3455	3655	3955	4455	4955	5455	5955	2955	3255	3455	3655	3955	4255	4655	4955	5455	5955	6455	6955	4470	4670	4970	5570	5970	6470	
	Height, mast lowered	$h_1$	2010	2160	2260	2420	2610	2860	3110	3360	3650	2010	2160	2260	2420	2610	2160	2260	2420	2610	2860	3110	3360	2160	2230	2330	2530	2680	2880	
	Height, mast extended <sup>1)</sup>	$h_4$	3765	4065	4265	4465	4765	5265	5765	6265	6765	3650	3950	4150	4350	4650	4950	5350	5650	6150	6650	7150	7650	5150	5350	5650	6250	6650	7150	
	Height, mast extended <sup>2)</sup>	$h_4$	4260	4560	4760	4960	5260	5760	6260	6760	7260	4250	4550	4750	4950	5250	5550	5950	6250	6750	7250	7750	8250	—	—	—	—	—	—	
	Free lift, without load backrest	$h_2$	135	135	135	135	135	135	135	135	135	1400	1550	1650	1810	2000	1550	1650	1810	2000	2250	2500	2750	1480	1550	1650	1850	2000	2200	
	Free lift, with load backrest <sup>2)</sup>	$h_2$	135	135	135	135	135	135	135	135	135	800	950	1050	1210	1400	950	1050	1210	1400	1650	1900	2150	1042	1112	1212	1412	1562	1762	
8FGJ35F	Lift height	$h_{23}$	3000	3300	3500	3700	4000	4500	5000	5500	6000	3000	3300	3500	3700	4000	4300	4700	5000	5500	6000	6500	7000	4300	4500	4700	5000	5600	6000	6500
	Lift	$h_3$	2955	3255	3455	3655	3955	4455	4955	5455	5955	2955	3255	3455	3655	3955	4255	4655	4955	5455	5955	6455	6955	4270	4470	4670	4970	5570	5970	6470
	Height, mast lowered	$h_1$	2115	2295	2395	2495	2745	2995	3245	3545	3795	2115	2295	2395	2495	2745	2230	2435	2625	2875	3125	3375	3625	2225	2275	2345	2445	2645	2765	2995
	Height, mast extended <sup>1)</sup>	$h_4$	3910	4210	4410	4610	4910	5410	5910	6410	6910	3765	4065	4265	4465	4765	5065	5465	5765	6265	6765	7265	7765	5000	5150	5350	5650	6250	6650	7150
	Height, mast extended <sup>2)</sup>	$h_4$	4260	4560	4760	4960	5260	5760	6260	6760	7260	4250	4550	4750	4950	5250	5550	5950	6250	6750	7250	7750	8250	—	—	—	—	—	—	—
	Free lift, without load backrest	$h_2$	135	135	135	135	135	135	135	135	135	1390	1570	1670	1770	2020	1500	1710	1900	2150	2400	2650	2900	1545	1595	1665	1765	1965	2115	2315
	Free lift, with load backrest <sup>2)</sup>	$h_2$	135	135	135	135	135	135	135	135	135	905	1085	1185	1285	1535	1015	1225	1415	1665	1915	2165	2415	1107	1157	1227	1327	1527	1647	1877

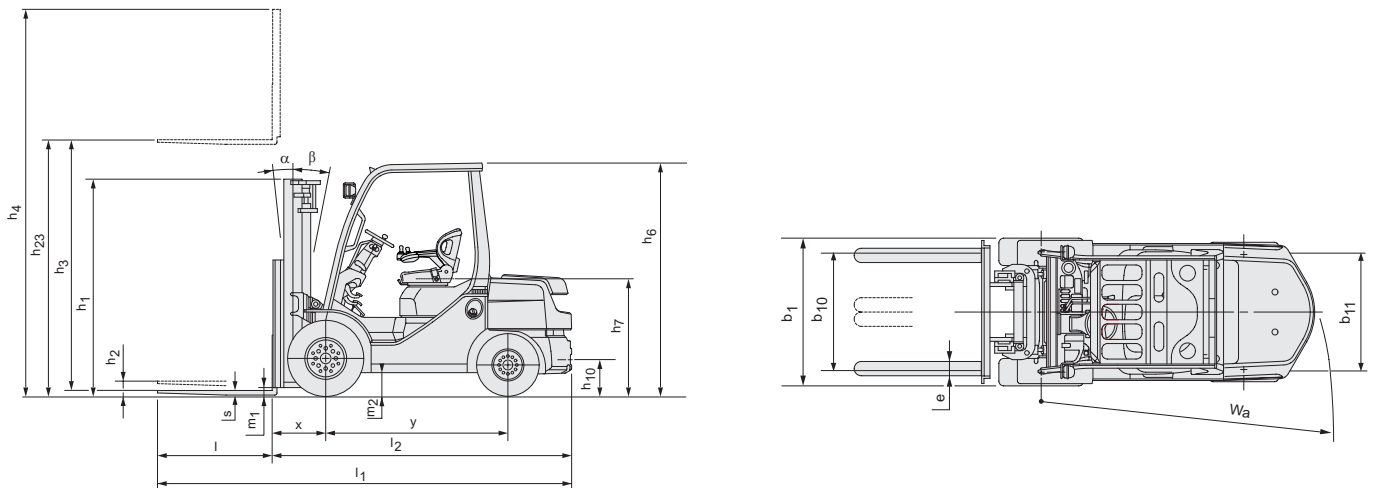
1) Without load backrest

2) With load backrest. Load backrest height V-FV-FSV mast : 1220mm. Load backrest height FSW mast : 1118mm.

Single tyre		V									FV					FSV						FSW								
8FG30F	Tilt range, forward	deg	6	6	6	6	6	6	—	—	6	6	6	6	6	6	6	6	6	6	—	—	6	6	6	6	6	6	—	
	Tilt range, backward	deg	11(6)	11(6)	11(6)	11(6)	11(6)	6	6	—	—	11(6)	11(6)	11(6)	11(6)	11(6)	6	6	6	6	6	—	—	6	6	6	6	6	6	—
	Load capacity, P tyres at 500 mm LC	kg	3000	3000	3000	3000	3000	3000	2600	—	—	3000	3000	3000	3000	3000	3000	3000	2600	1900	1500	—	—	3000	3000	2550	1900	1500	1100	—
	Load capacity, SE tyres at 500 mm LC	kg	3000	3000	3000	3000	3000	3000	2750	—	—	3000	3000	3000	3000	3000	3000	3000	2750	2050	1650	—	—	3000	3000	2750	2050	1650	1630	—
8FGJ35F	Tilt range, forward	deg	6	6	6	6	6	6	6	—	—	6	6	6	6	6	6	6	6	6	6	—	—	6	6	6	6	6	6	6
	Tilt range, backward	deg	11(6)	11(6)	11(6)	11(6)	11(6)	6	6	—	—	11(6)	11(6)	11(6)	11(6)	11(6)	6	6	6	6	6	—	—	6	6	6	6	6	6	6
	Load capacity, P tyres at 500 mm LC	kg	3500	3500	3500	3500	3500	3500	3300	—	—	3500	3500	3500	3500	3500	3500	3400	3300	2700	2000	—	—	3250	3250	3250	3150	2700	2000	1100
	Load capacity, SE tyres at 500 mm LC	kg	3500	3500	3500	3500	3500	3500	3400	—	—	3500	3500	3500	3500	3500	3500	3400	3300	2850	2150	—	—	3250	3250	3250	3150	2750	2150	1650

Dual tyre		V									FV					FSV						FSW								
8FG30F	Tilt range, forward	deg	6	6	6	6	6	6	6	6	6	6	6	6	6	6	6	6	6	6	6	6	6	6	6	6	6	6	—	
	Tilt range, backward	deg	11(6)	11(6)	11(6)	11(6)	11(6)	11(6)	6	6	6	11(6)	11(6)	11(6)	11(6)	11(6)	6	6	6	6	6	6	6	6	6	6	6	6	6	—
	Load capacity, P/SE tyres at 500 mm LC	kg	3000	3000	3000	3000	3000	3000	3000	2550	—	3000	3000	3000	3000	3000	3000	3000	2950	2650	2050	1600	—	3000	3000	2800	2600	2050	1630	—
8FGJ35F	Tilt range, forward	deg	6	6	6	6	6	6	6	6	6	6	6	6	6	6	6	6	6	6	6	6	6	6	6	6	6	6	6	—
	Tilt range, backward	deg	11(6)	11(6)	11(6)	11(6)	11(6)	11(6)	6	6	6	11(6)	11(6)	11(6)	11(6)	11(6)	6	6	6	6	6	6	6	6	6	6	6	6	6	—
	Load capacity, P/SE tyres at 500 mm LC	kg	3500	3500	3500	3500	3500	3500	3400	2950	—	3500	3500	3500	3500	3500	3500	3400	3300	3200	2400	1650	—	3250	3250	3250	3150	2750	2150	1650

Data in ( ) are for when "Cabin Series" is selected (minimum front windshield).



---

## Standard equipments:

- Hydrostatic transmission
- Toyota SAS (System of Active Stability\*)
- Toyota OPS (Operator Presence Sensing)
- Toyota ORS seat (Operator Restraint System)
- Wide visible mast (MFH: 3000 mm)
- Load backrest (Height: 1220 mm)
- Long forks (Length: 1000 mm)
- Long forkbar [Length: 920 mm (8FG15F.18F); 1020 mm (8FG/D20F.25F); 1070 mm (8FG/D30F,8FG/DJ35F)]
- 3-way valve (A400)
- Dual brake system
- Pneumatic shaped cushion tyres
- Full hydraulic power steering
- 7" cyclone air cleaner with snorkel air intake
- Anti-restart ignition key switch
- LED Headlights
- LED Rear combination lights
- Multi function display, HST, including self diagnostic system
- Adjustable tilt steering column
- Polycarbonate roof

\* = When dual tyres are selected, the Active Control Rear Stabilizer function of the SAS system of Active Stability (SAS) is not included.

